

# SIRUBA

## GAGE PARTS LIST

### 700DFT/988DFT

Series

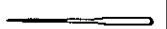
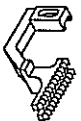
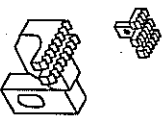
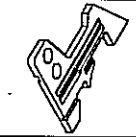
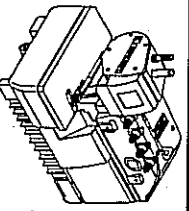
Remark

Page

Date

1 / 1

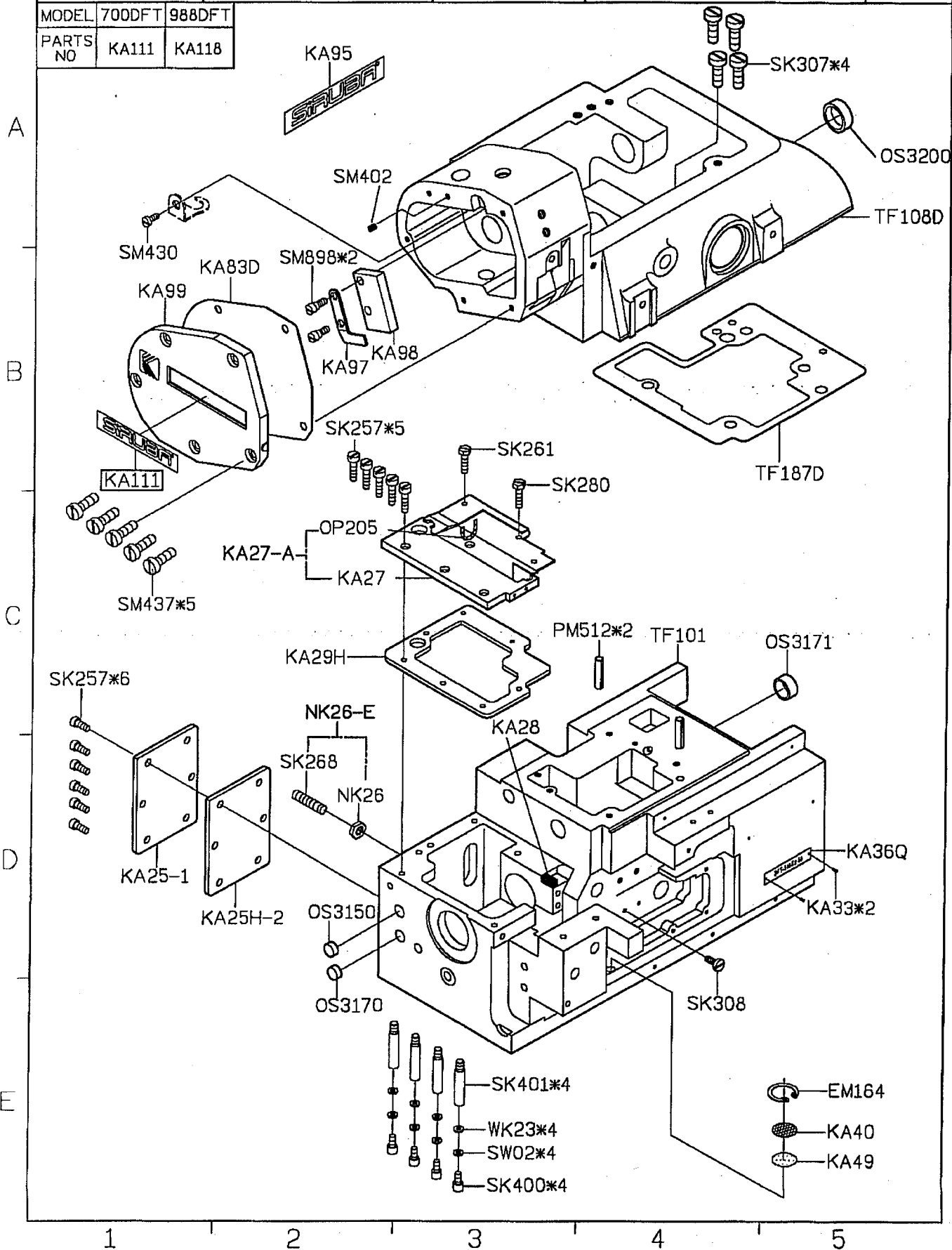
2014/03/13



機 型 MODEL	針板 NEEDLE PLATE	送 具 FEED DOG	送 具 FEED DOG	送 具 FEED DOG	押 具 PRESSER FOOT	勾 針 LOOPER	針 留 NEEDLE CLAMP	束 子 COLLER	衝 程 CRANK	衝 程 CRANK	針 號 NEEDLE		
747DFT	514H4-24/GB	E921	D440	D095	H445	D464	P454-A1	LP38	KG142-E	KJ13F	TF157-A	KJ11B	DCX27#9*2
	514H4-24/GB/P	E921	D440	D095	H445	D464	P454P-A1	LP38	KG142-E	KJ13F	TF157-A	KJ11B	DCX27#9*2
988DFT-4T	514M2-24	E921	D440	D095	H445	D453	P454-A1	LP38	KG142-E	KJ13F	TF157-A	KJ11B	DCX27#9*2
	514M2-24/DT	E921C	D440	D095	H445	D453	P454-A1	LP38	KG142-E	KJ13F	TF157-A	KJ11B	DCX27#9*2
757DFT	516H4-35/GB	E862	D489	D502	H497	D466	P481-A	LP38	KG153-E	KJ13F	TF157-A	KJ11B	DCX27#14*2
	516H4-35/GB/P	E862	D489	D502	H497	D466	P481P-A	LP38	KG153-E	KJ13F	TF157-A	KJ11B	DCX27#14*2
	516H4-56/GB	E867	D489	D502	H500	D466	P480-A	LP38	KG155-E	KJ13F	TF157-A	KJ11B	DCX27#14*2
	516H4-56/GB/P	E867	D489	D502	H500	D466	P480P-A	LP38	KG155-E	KJ13F	TF157-A	KJ11B	DCX27#14*2
	516H4-56/GB/P	E867	D489	D502	H500	D466	P480P-A	LP38	KG155-E	KJ13F	TF157-A	KJ11B	DCX27#14*2
	516H4-56/GB/P	E867	D489	D502	H500	D466	P480P-A	LP38	KG155-E	KJ13F	TF157-A	KJ11B	DCX27#14*2
988DFT-5T	516M2-35	E862	D489	D502	H497	D469	P481-A	LP38	KG153-E	KJ13F	TF157-A	KJ11B	DCX27#18*2
	516M2-35/DT	E862C	D489	D502	H497	D469	P481-A	LP38	KG153-E	KJ13F	TF157-A	KJ11B	DCX27#18*2
747DRT	516M2-56	E867	D489	D502	H500	D469	P480-A	LP38	KG155-E	KJ13F	TF157-A	KJ11B	DCX27#14*2
	516M2-56/DT	E867C	D489	D502	H500	D469	P480-A	LP38	KG155-E	KJ13F	TF157-A	KJ11B	DCX27#14*2
	514M2-24	E919	D440	D095	H445	D070	P068-4	LP38	KG142-E	KJ13F	TF157-A	KJ11B	DCX27#9*2
	514M2-24/DT	E919C	D440	D095	H445	D070	P068-4	LP38	KG142-E	KJ13F	TF157-A	KJ11B	DCX27#9*2
988DRT-4T	516M2-56	E129	D066	D067	H500	D064	P056-A	LP38	KG155-E	KJ13F	TF157-A	KJ11B	DCX27#14*2
	516M2-56/DT	E129C	D066	D067	H500	D064	P056-A	LP38	KG155-E	KJ13F	TF157-A	KJ11B	DCX27#14*2
757DRT	516M2-35	E169	D066	D067	H497	D064	P053-A	LP38	KG153-E	KJ13F	TF157-A	KJ11B	DCX27#14*2
	516M2-35/DT	E169C	D066	D067	H497	D064	P053-A	LP38	KG153-E	KJ13F	TF157-A	KJ11B	DCX27#14*2
988DRT-5T	516M2-35	E169	D066	D067	H497	D064	P053-A	LP38	KG153-E	KJ13F	TF157-A	KJ11B	DCX27#14*2
	516M2-35/DT	E169C	D066	D067	H497	D064	P053-A	LP38	KG153-E	KJ13F	TF157-A	KJ11B	DCX27#14*2

<b>SIRUBA</b> PARTS LIST	Series	Parts Group	Subclass / Remark	Page
	700DFT 988DFT	KA		1/1
				Date
				2013/12/23

MODEL	700DFT	988DFT
PARTS NO	KA111	KA118



<b>SIRUBA</b> PARTS LIST	Series	Parts Group	Subclass / Remark	Page
	700DFT	KB		1/1
	988DFT			Date
				2013/12/23

MODEL	#4	#5
PARTS NO	KB01E	KB02E
	KB22F	KB23F
	KB01F-4	KB02F-5

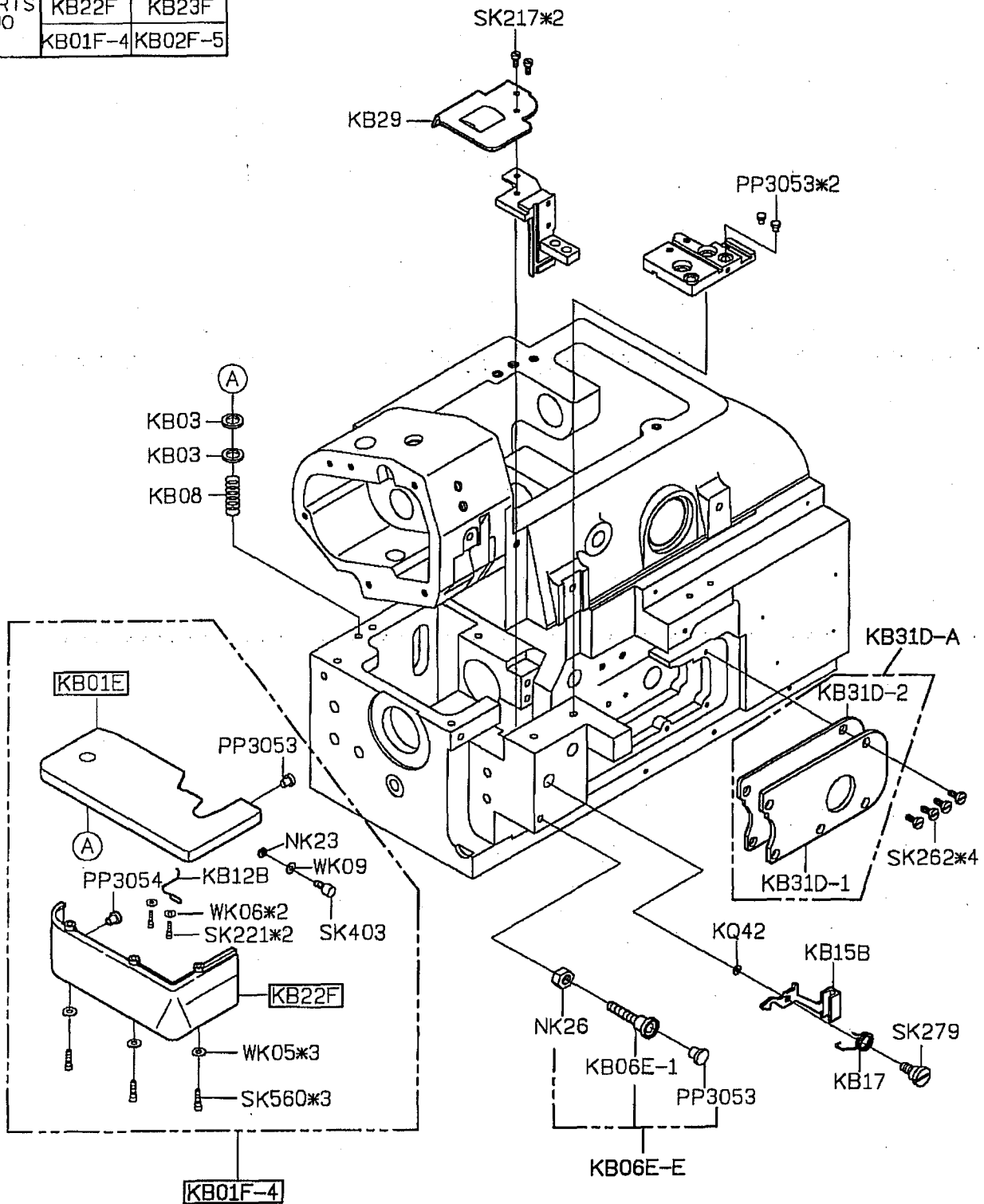
A

B

C

D

E



1

2

3

4

5

**SIRUBA**

PARTS LIST

Series  
**700DFT  
988DFT**

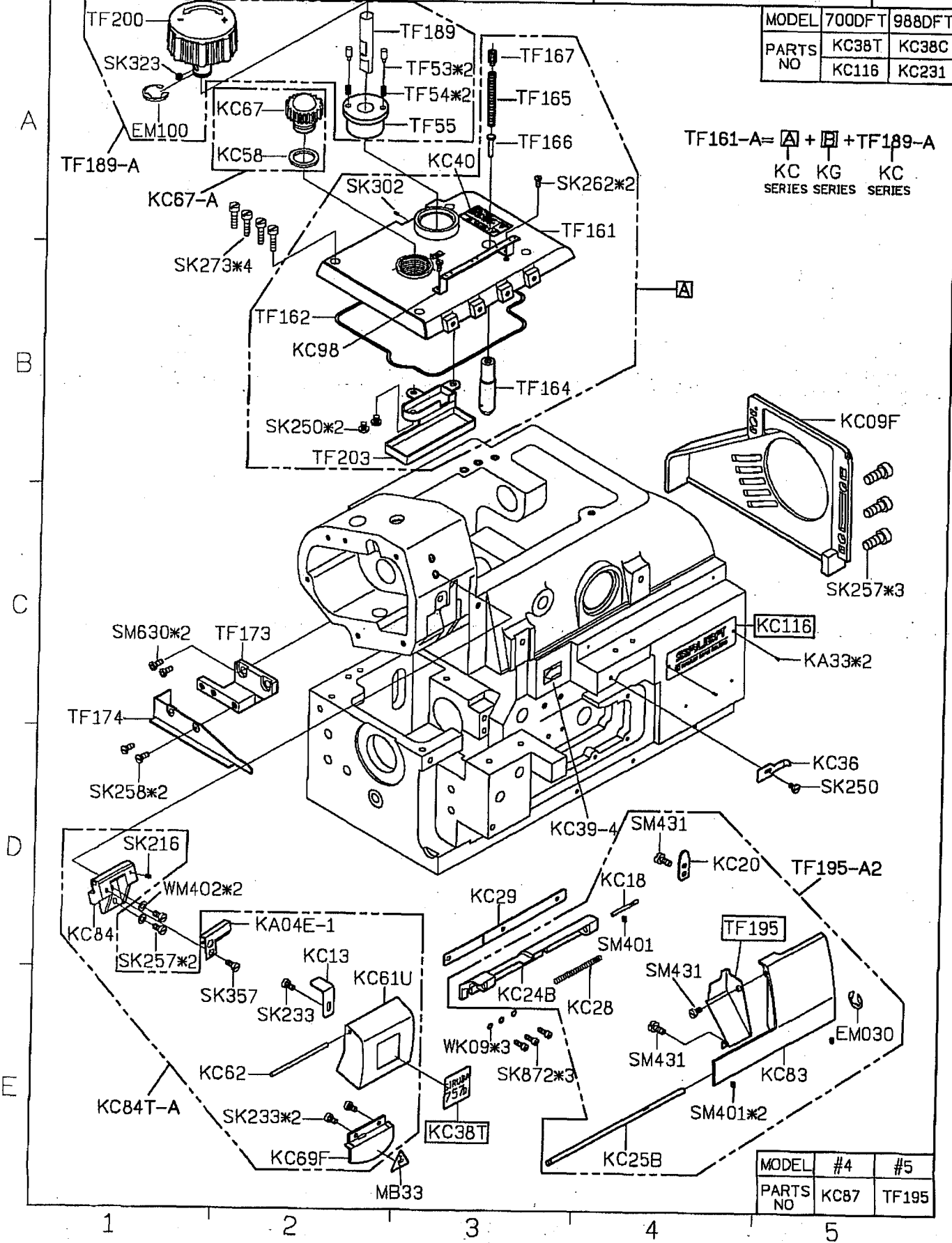
Parts Group  
**KC**

Subclass / Remark

Page  
1/1  
Date  
2013/12/23

MODEL	700DFT	988DFT
PARTS NO	KC38T	KC38C
	KC116	KC231

TF161-A =  $\Delta$  +  $\square$  + TF189-A  
 KC SERIES    KG SERIES    KC SERIES



MODEL	#4	#5
PARTS NO	KC87	TF195

1                      2                      3                      4                      5

**SIRUBA**

PARTS LIST

Series

**700DFT  
988DFT**

Parts Group

**KD**

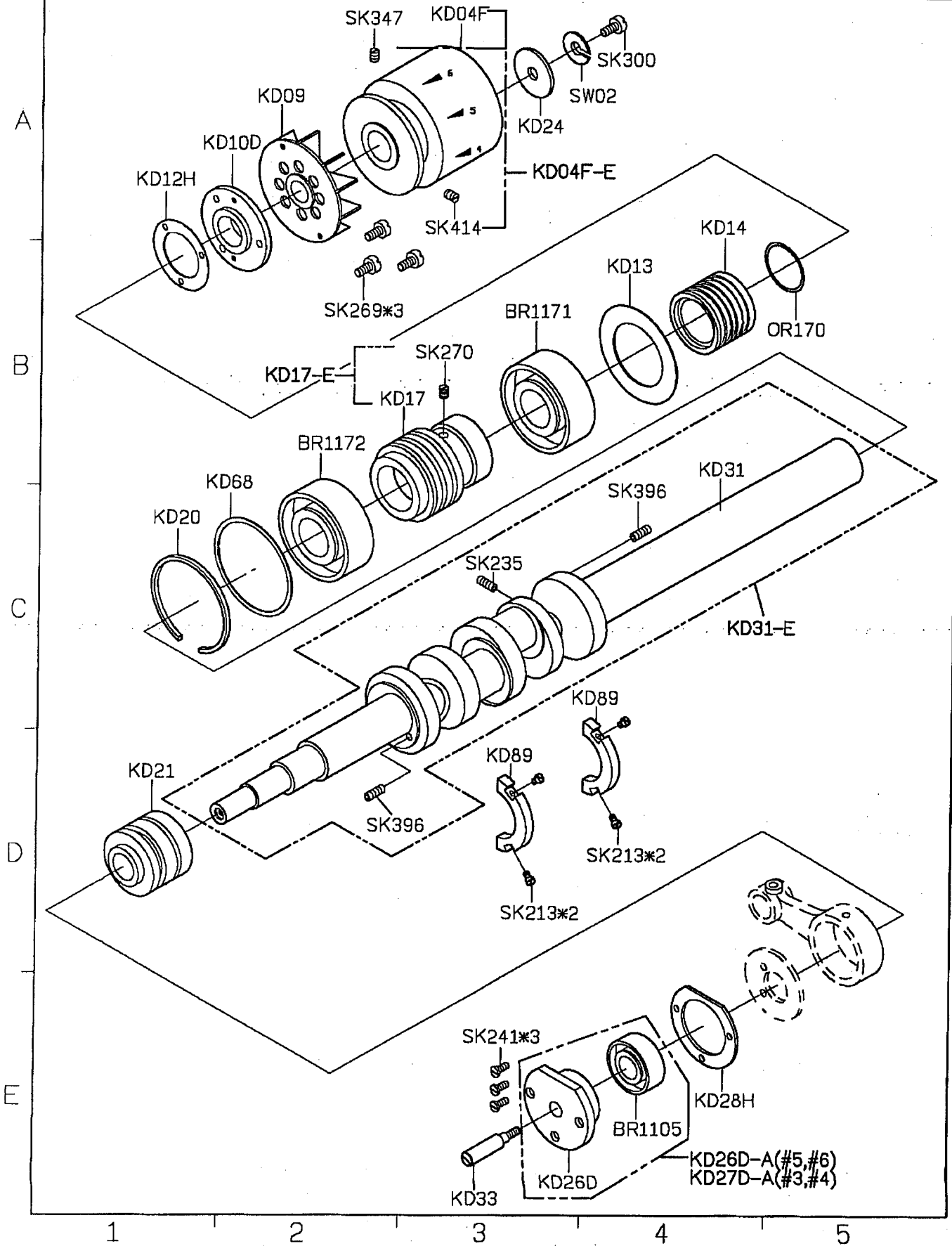
Subclass / Remark

Page

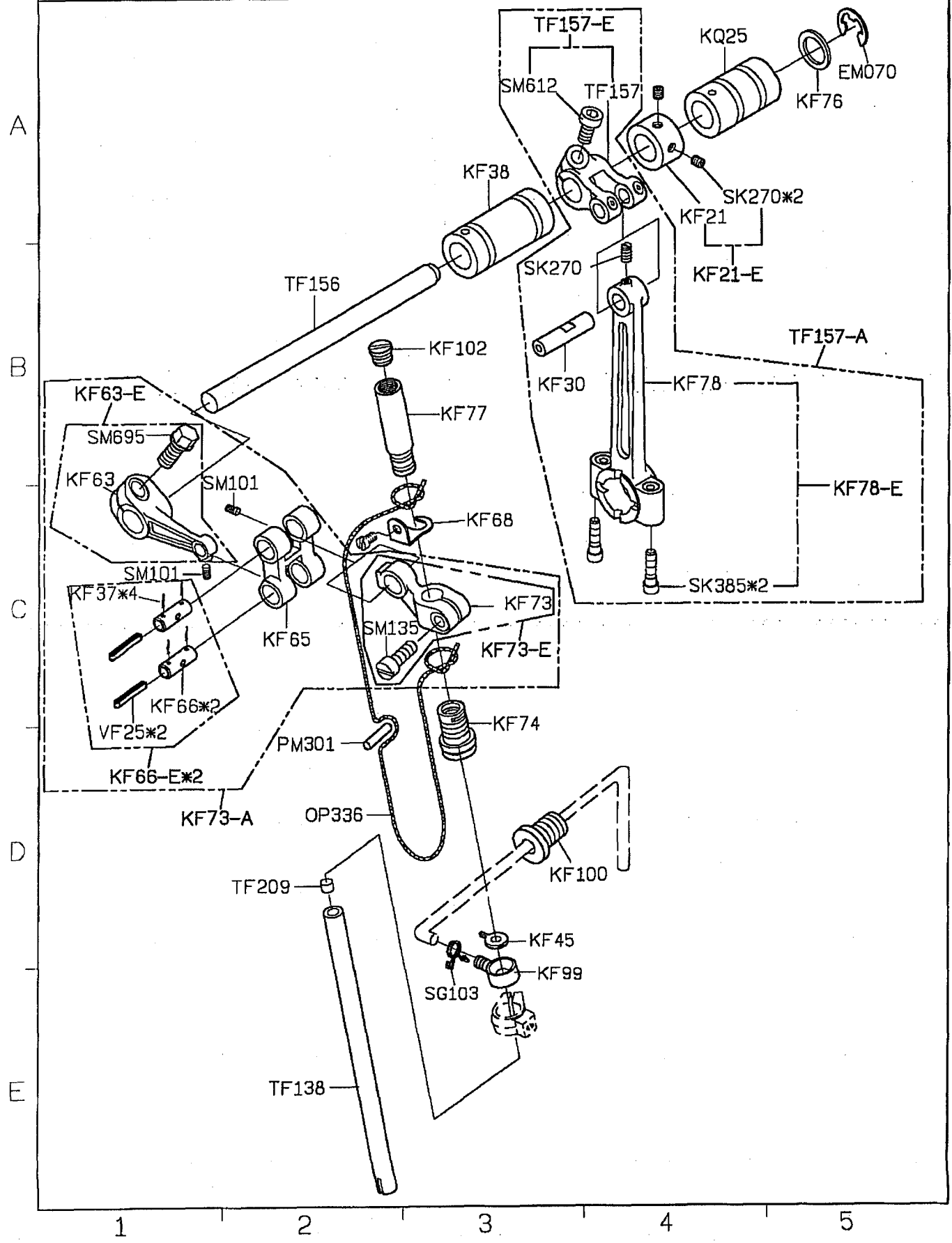
1/1

Date

2013/12/23

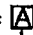



SIRUBA PARTS LIST	Series	Parts Group	Subclass / Remark	Page
	700DFT 988DFT	KF		1/1
				Date
				2013/12/23



<b>SIRUBA</b> PARTS LIST	Series	Parts Group	Subclass / Remark	Page
	700DFT	KG		1/1
	988DFT			Date
				2013/12/23

MODEL	#4	#5
	TF205	KG51
	TF160	KG64
	TF163	KG65
	TF206	KG34
	KG52-4	KG52-5

TF161-A =  +  + TF189-A

KC KG KC  
SERIES SERIES SERIES

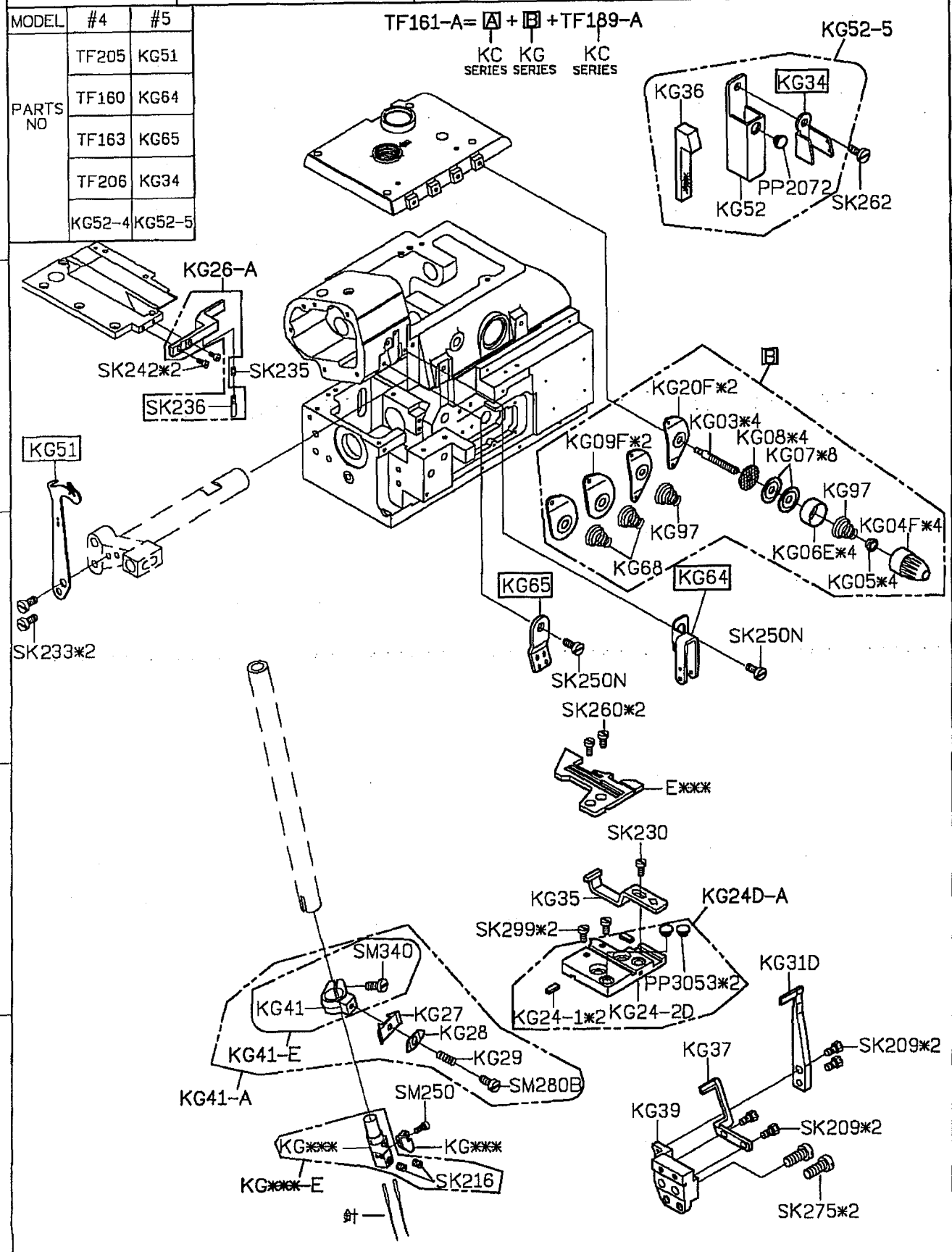
A

B

C

D

E



1

2

3

4

5

**SIRUBA**

PARTS LIST

Series

700DFT  
988DFT

Parts Group

KJ

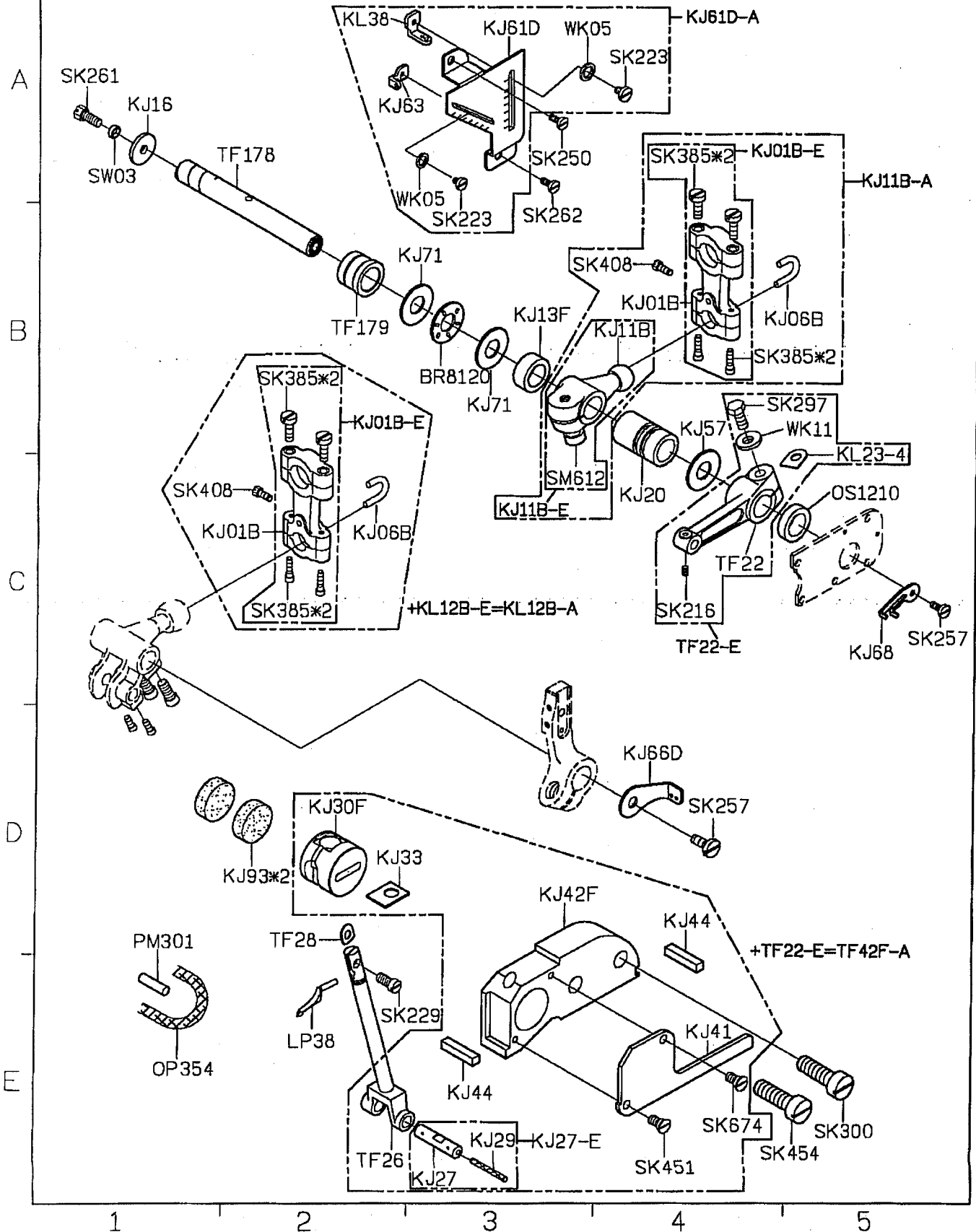
Subclass / Remark

Page

1/1

Date

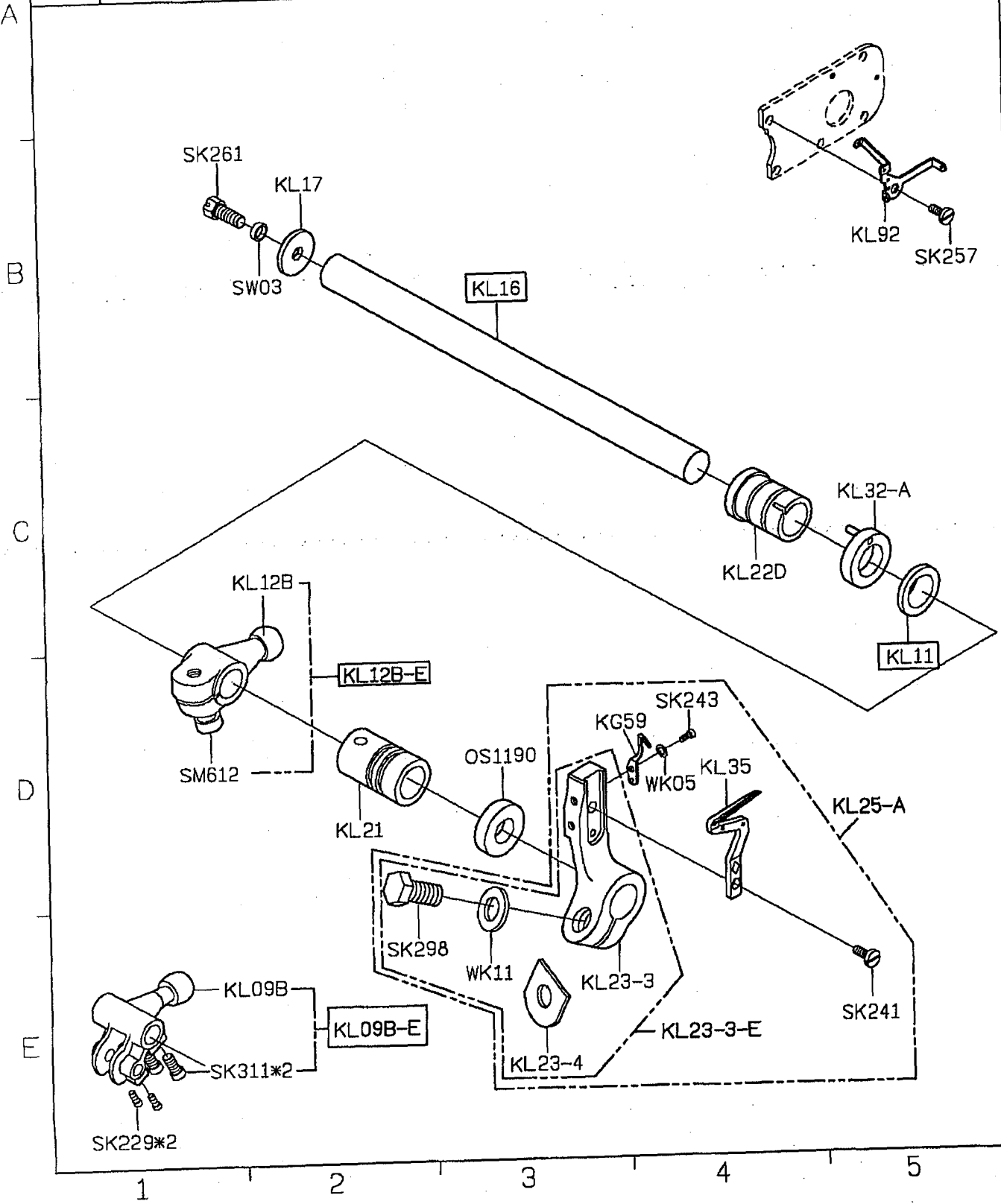
2013/12/23



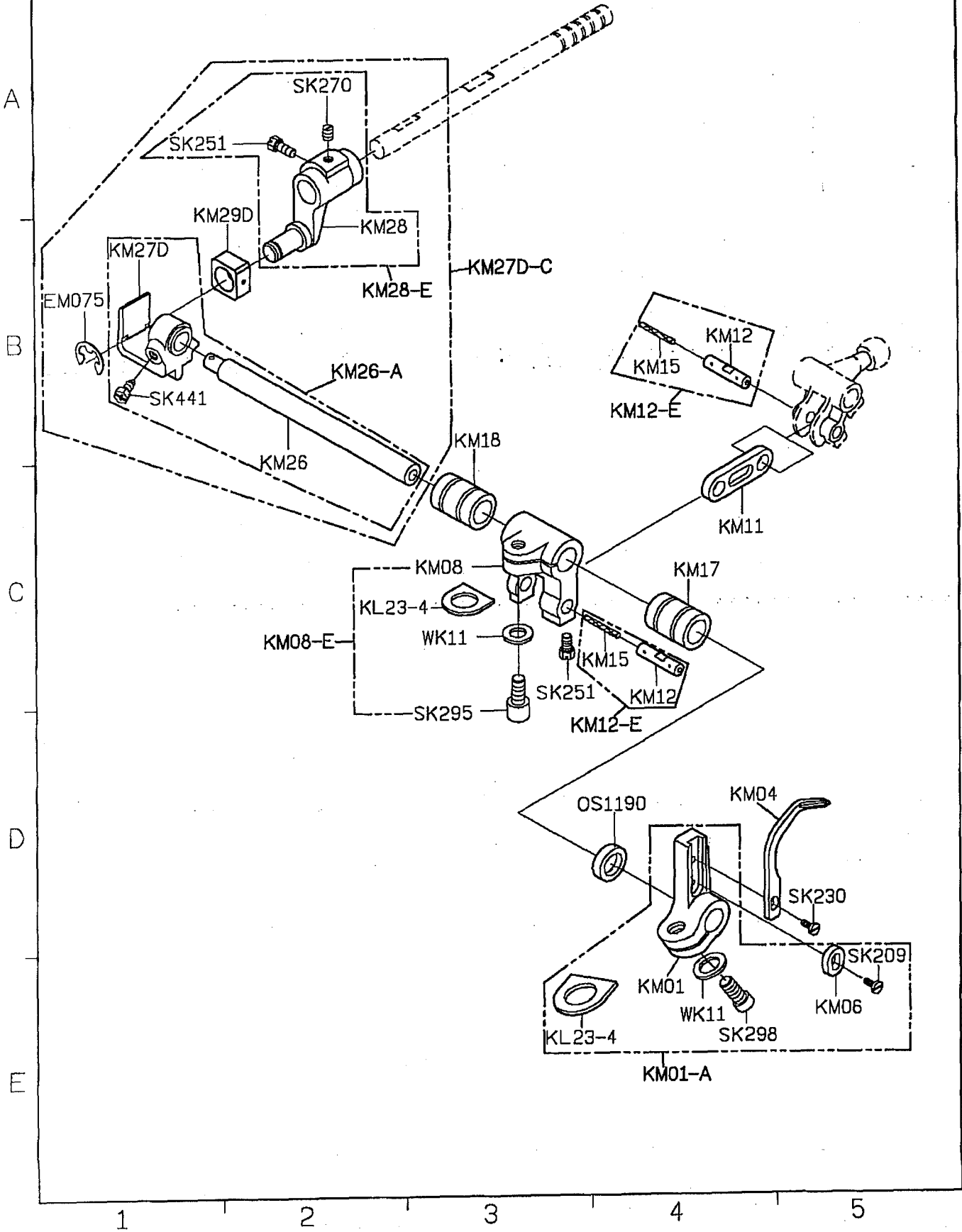


<b>SIRUBA</b> PARTS LIST	Series	Parts Group	Subclass / Remark	Page
	<b>700DFT</b>	<b>KL</b>		1/1
	<b>988DFT</b>			Date
				2013/12/23

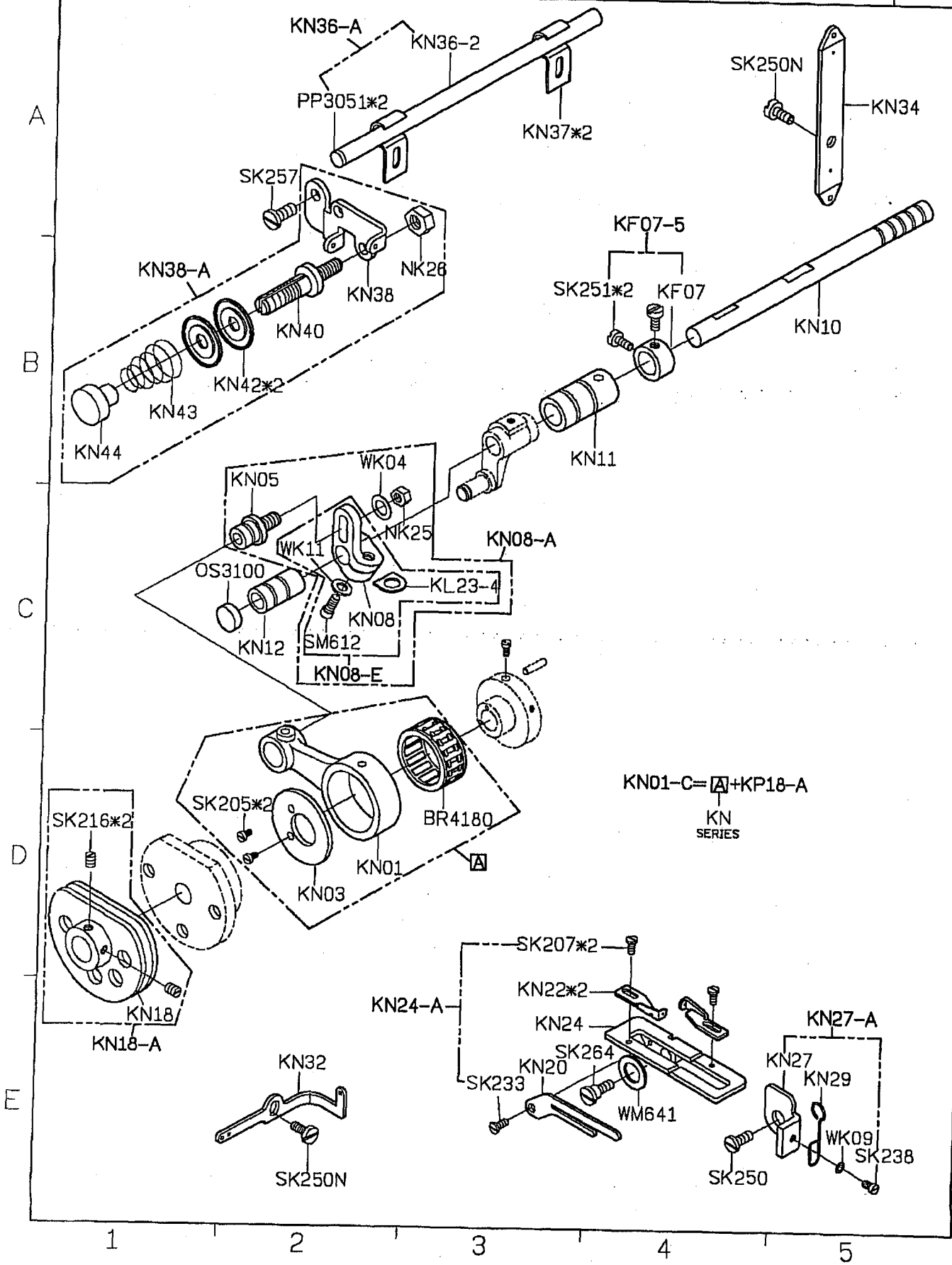
MODEL	#4	#5
PARTS NO	KL57	KL16
	KL15	KL11
	KL12B-E	KL09B-E



SIRUBA PARTS LIST	Series	Parts Group	Subclass / Remark	Page
	700DFT 988DFT	KM		1/1
				Date
				2013/12/23

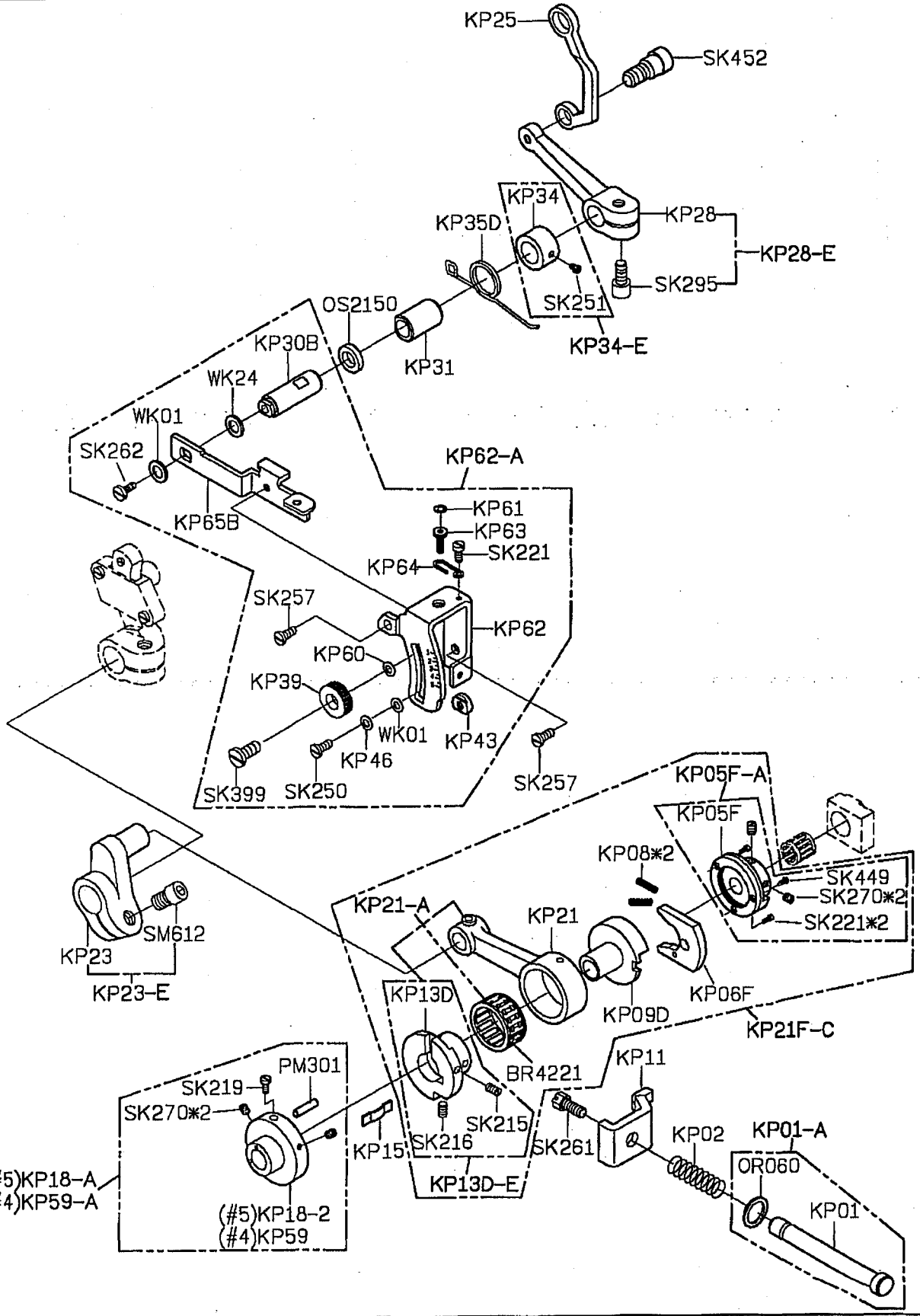


<b>SIRUBA</b> PARTS LIST	Series	Parts Group	Subclass / Remark	Page
	<b>700DFT</b>	<b>KN</b>		1/1
	<b>988DFT</b>			Date
				2013/12/23

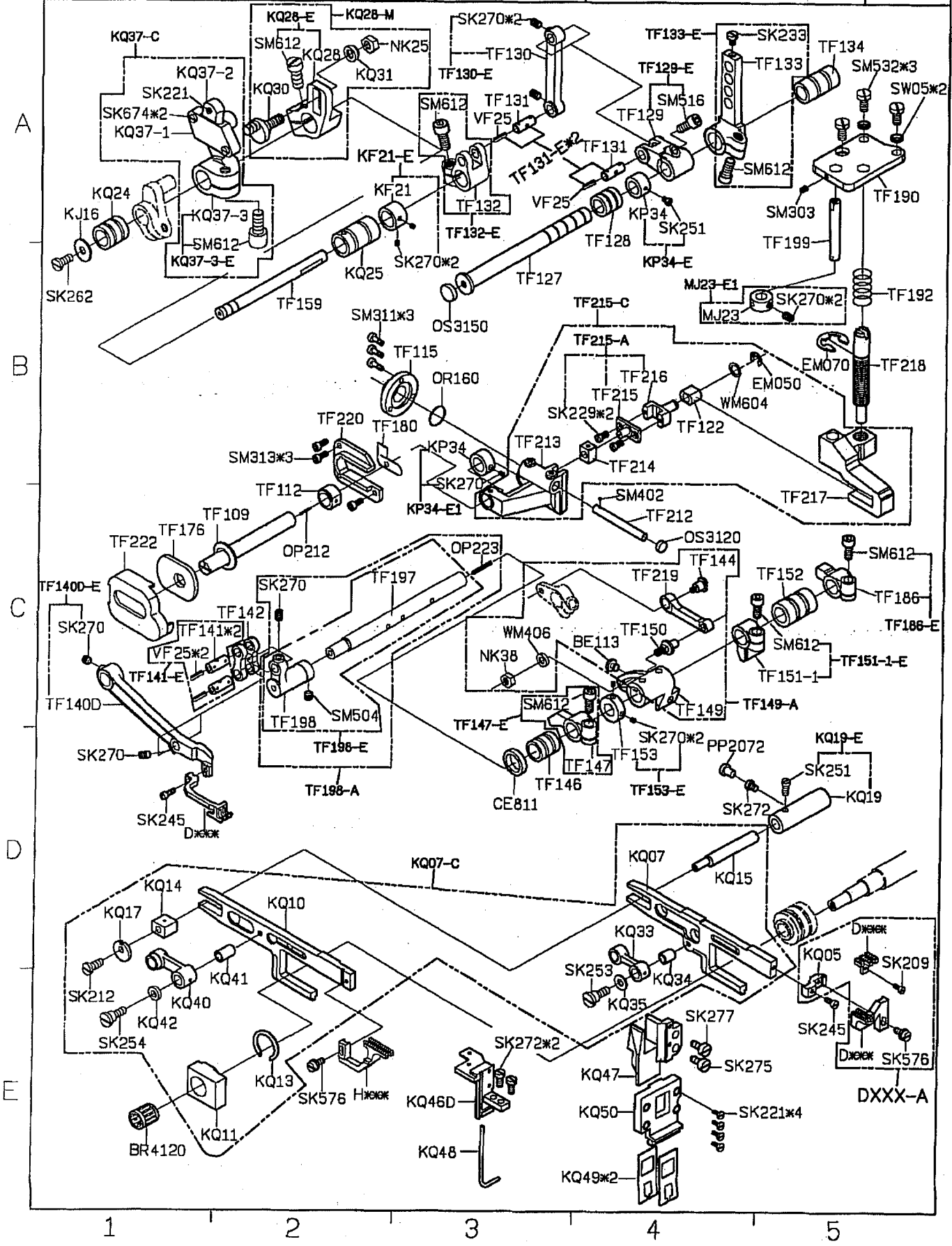


SIRUBA PARTS LIST	Series	Parts Group	Subclass / Remark	Page
	700DFT	KP		1/1
	988DFT			Date
				2013/12/23

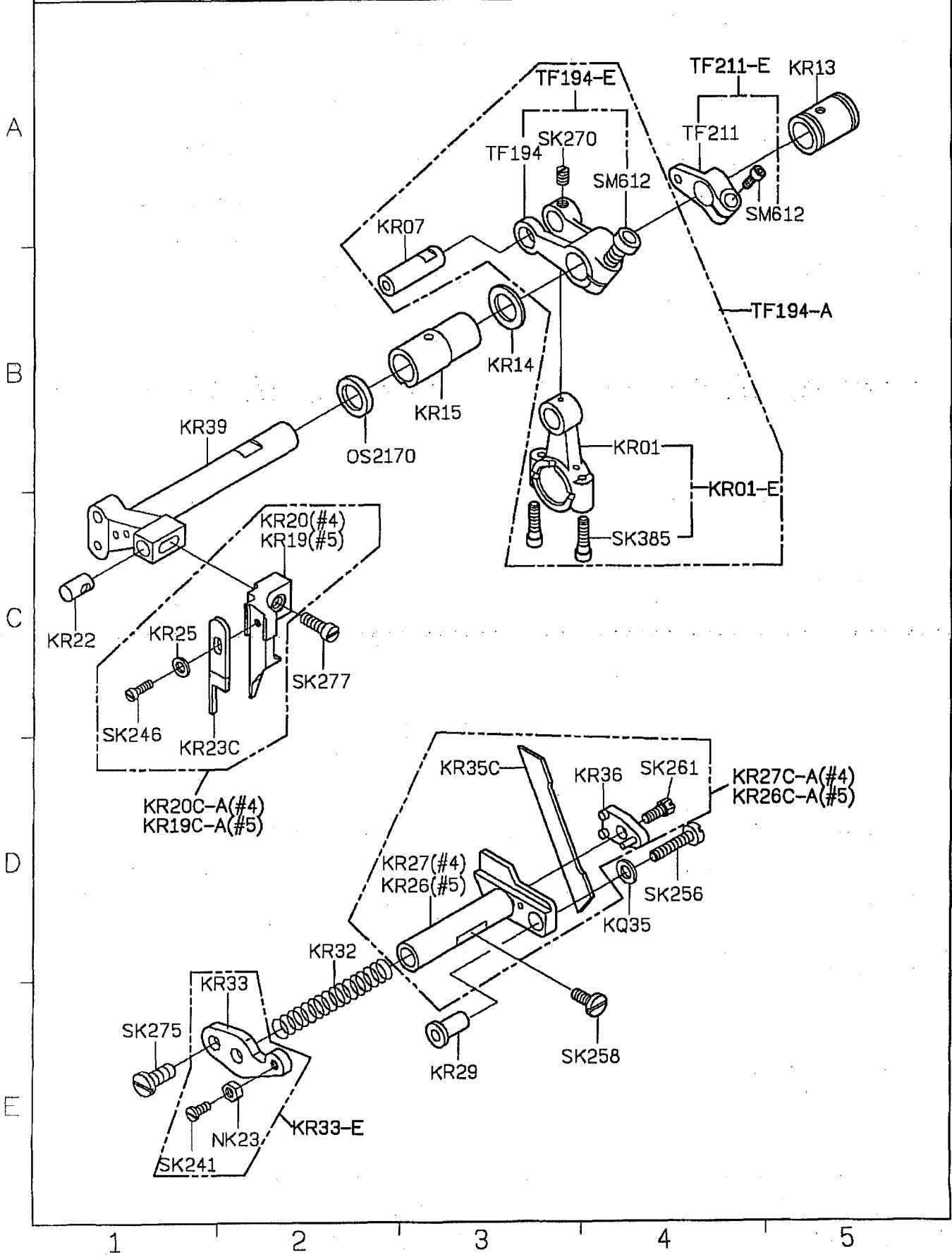
A  
B  
C  
D  
E



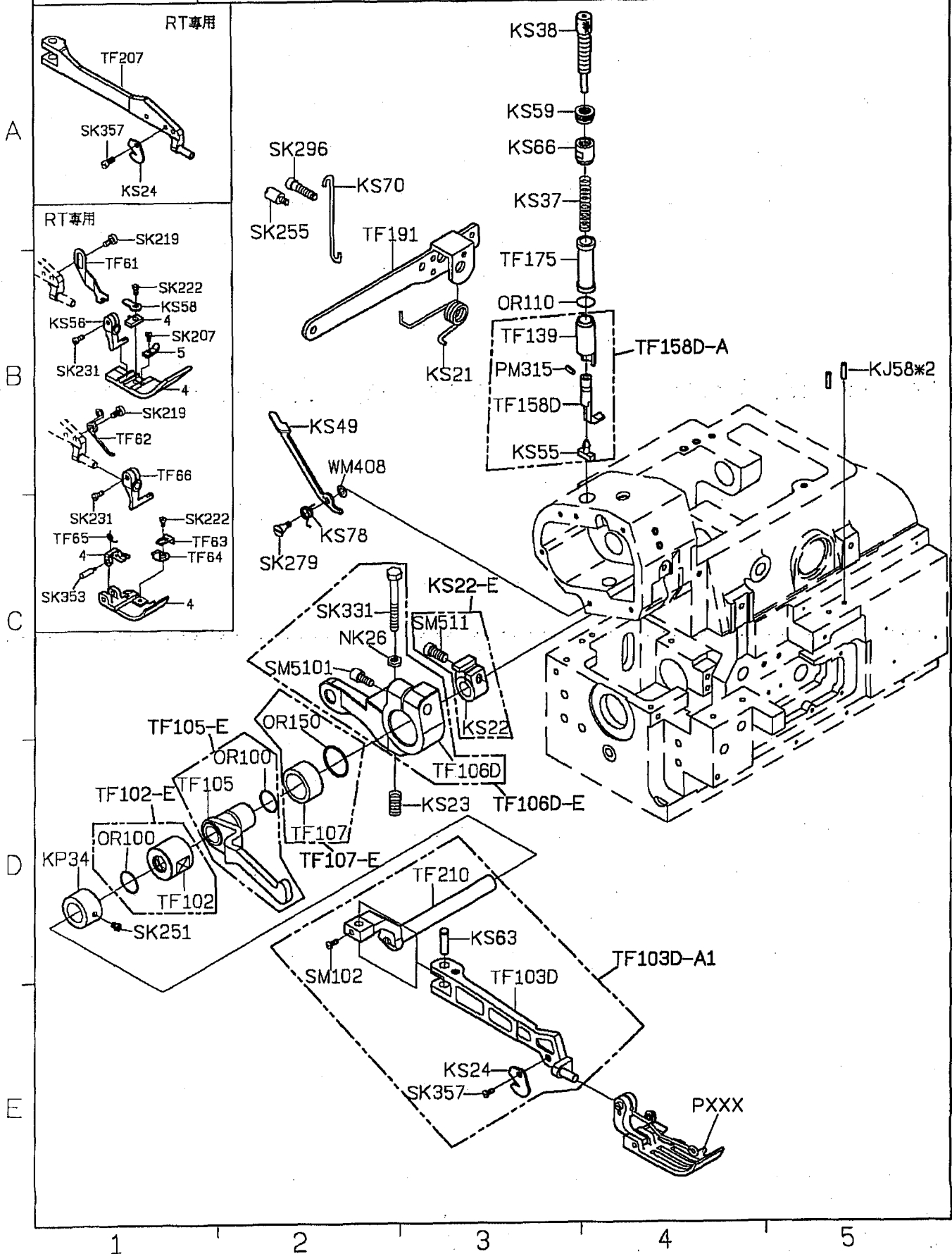
1 2 3 4 5



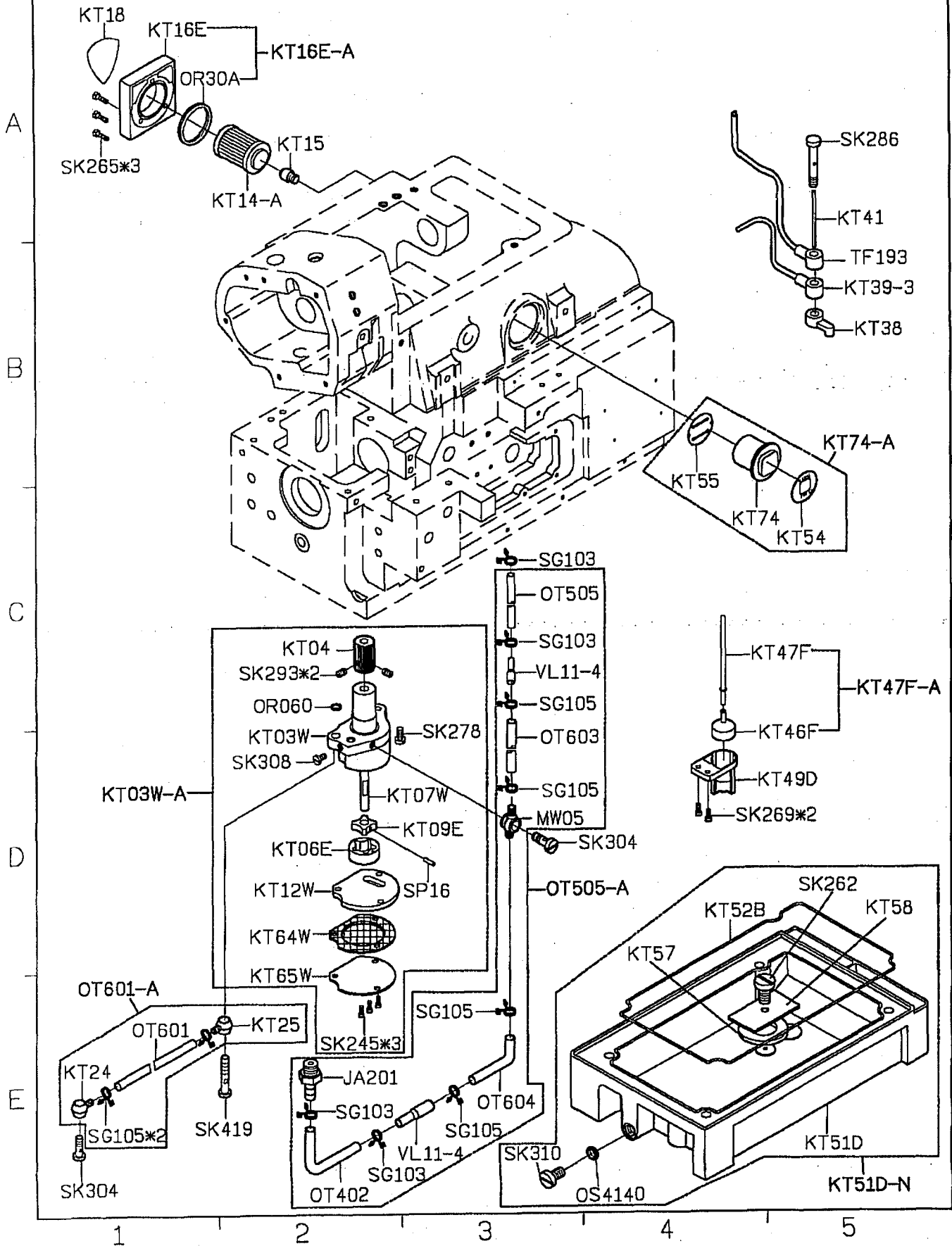
SIRUBA PARTS LIST	Series	Parts Group	Subclass / Remark	Page
	700DFT	KR		1/1
	988DFT			Date
				2013/12/23



SIRUBA PARTS LIST	Series	Parts Group	Subclass / Remark	Page
	700DFT 988DFT	KS		1/1
				Date 2013/12/23



SIRUBA PARTS LIST	Series	Parts Group	Subclass / Remark	Page
	700DFT 988DFT	KT		1/1
				Date
				2013/12/23





SIRUBA PARTS LIST	Series	Parts Group	Subclass / Remark	Page
	700DFT 988DFT	KU		1/1
				Date 2013/12/23

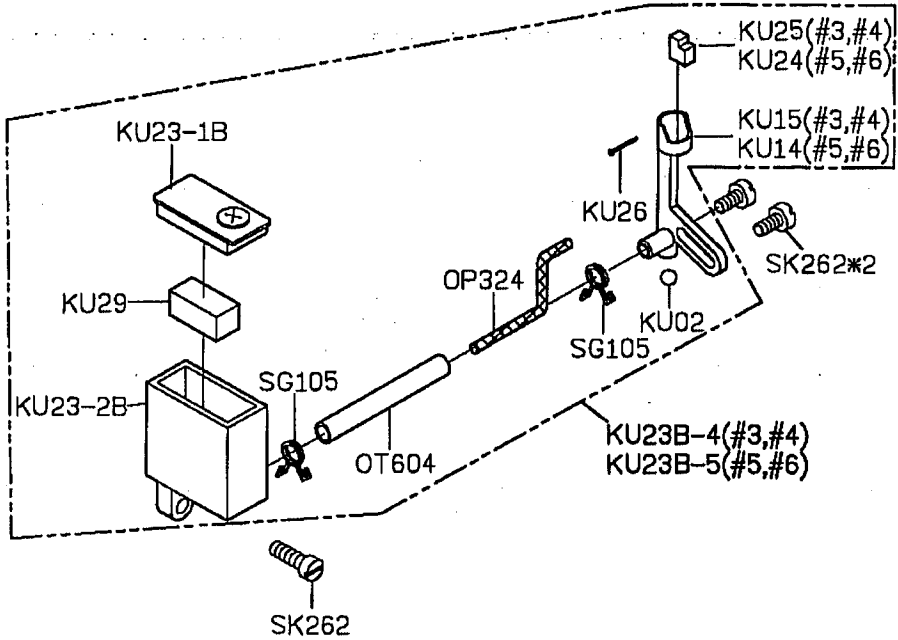
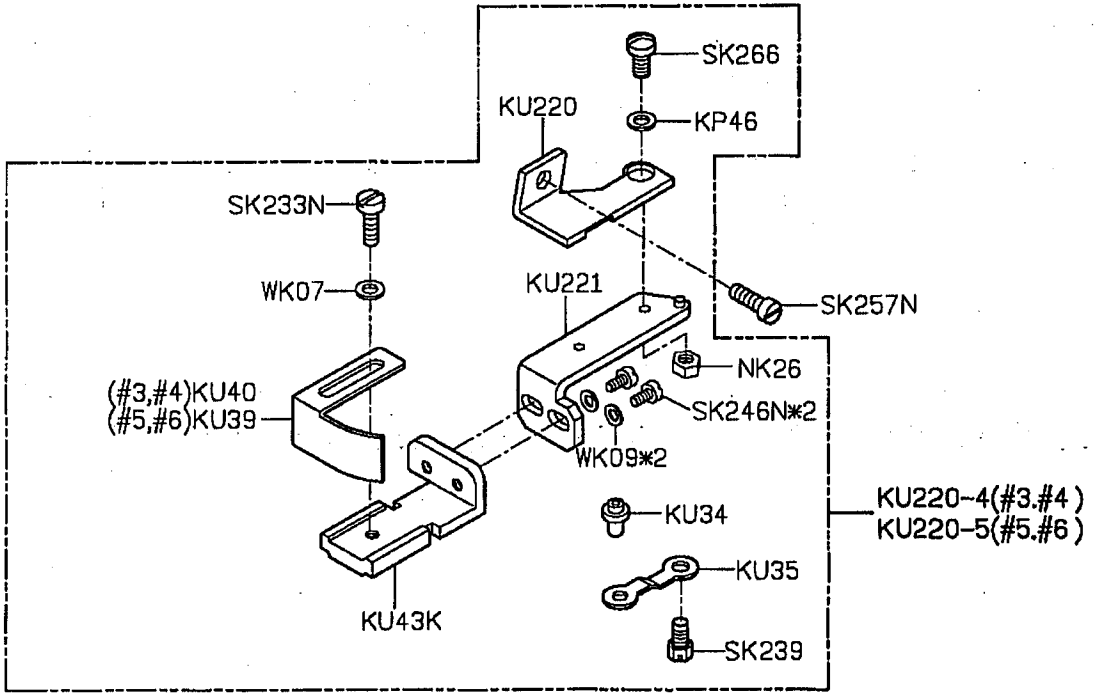
A

B

C

D

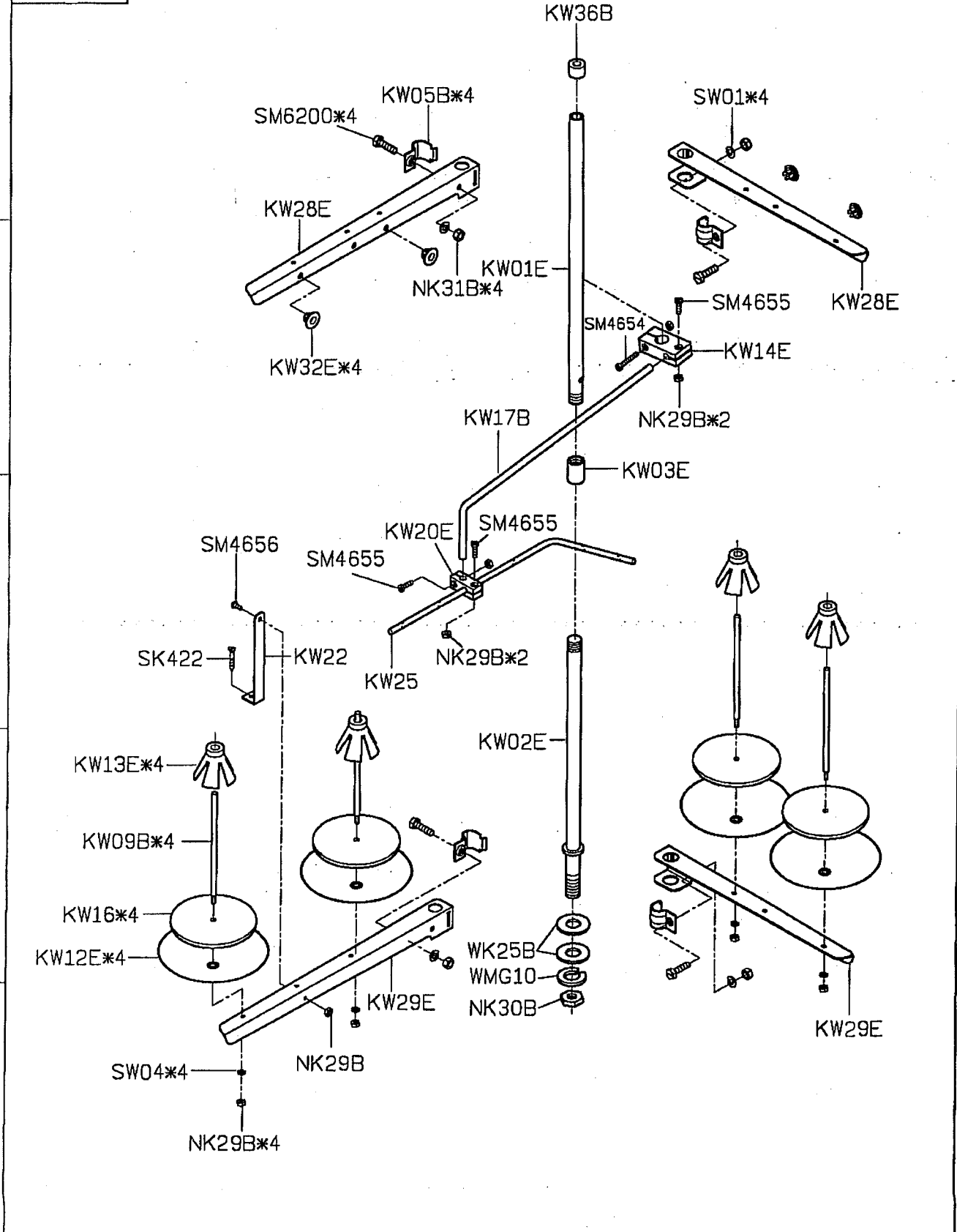
E



SIRUBA PARTS LIST	Series	Parts Group	Subclass / Remark	Page
	700DFT	KW		1/2
	988DFT			Date
				2013/12/23

KW40E-4

A  
B  
C  
D  
E

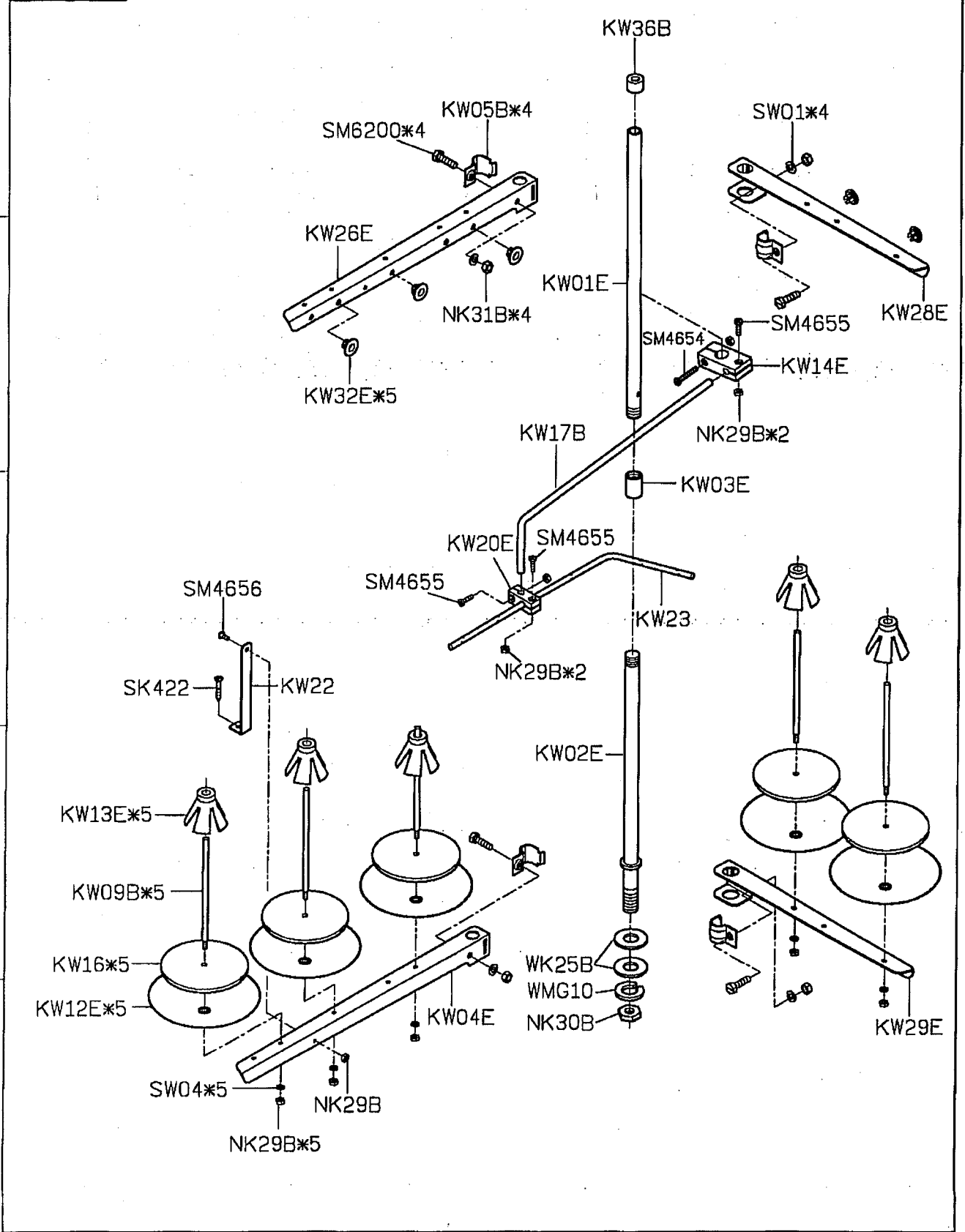


1 2 3 4 5

KW40E-5

A  
B  
C  
D  
E

1 2 3 4 5



**SIRUBA**

PARTS LIST

Series

**700DFT  
988DFT**

Parts Group

**KX**

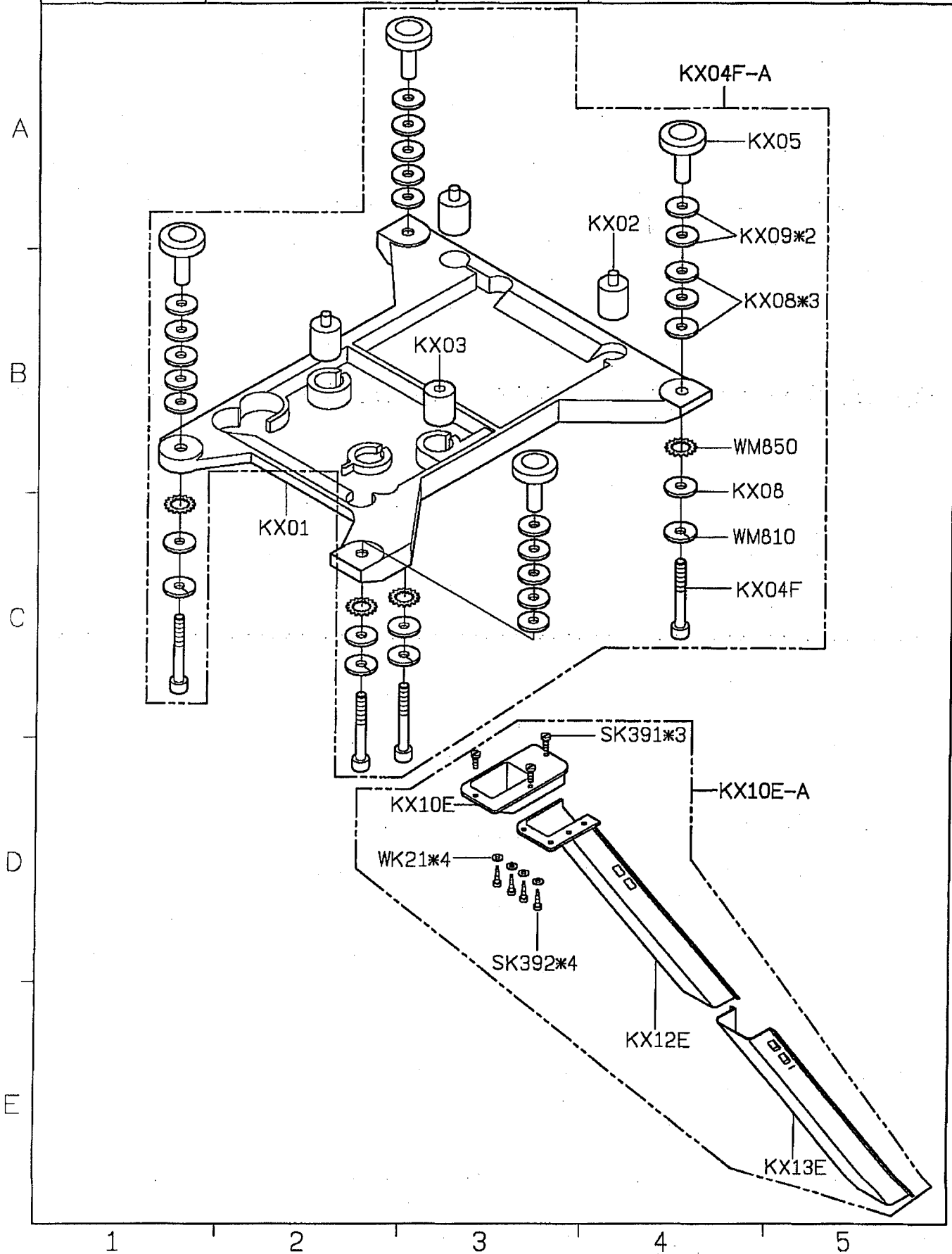
Subclass / Remark

Page

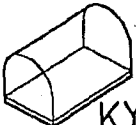
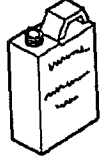




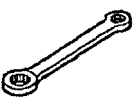


















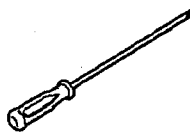

1/1

Date

2013/12/23

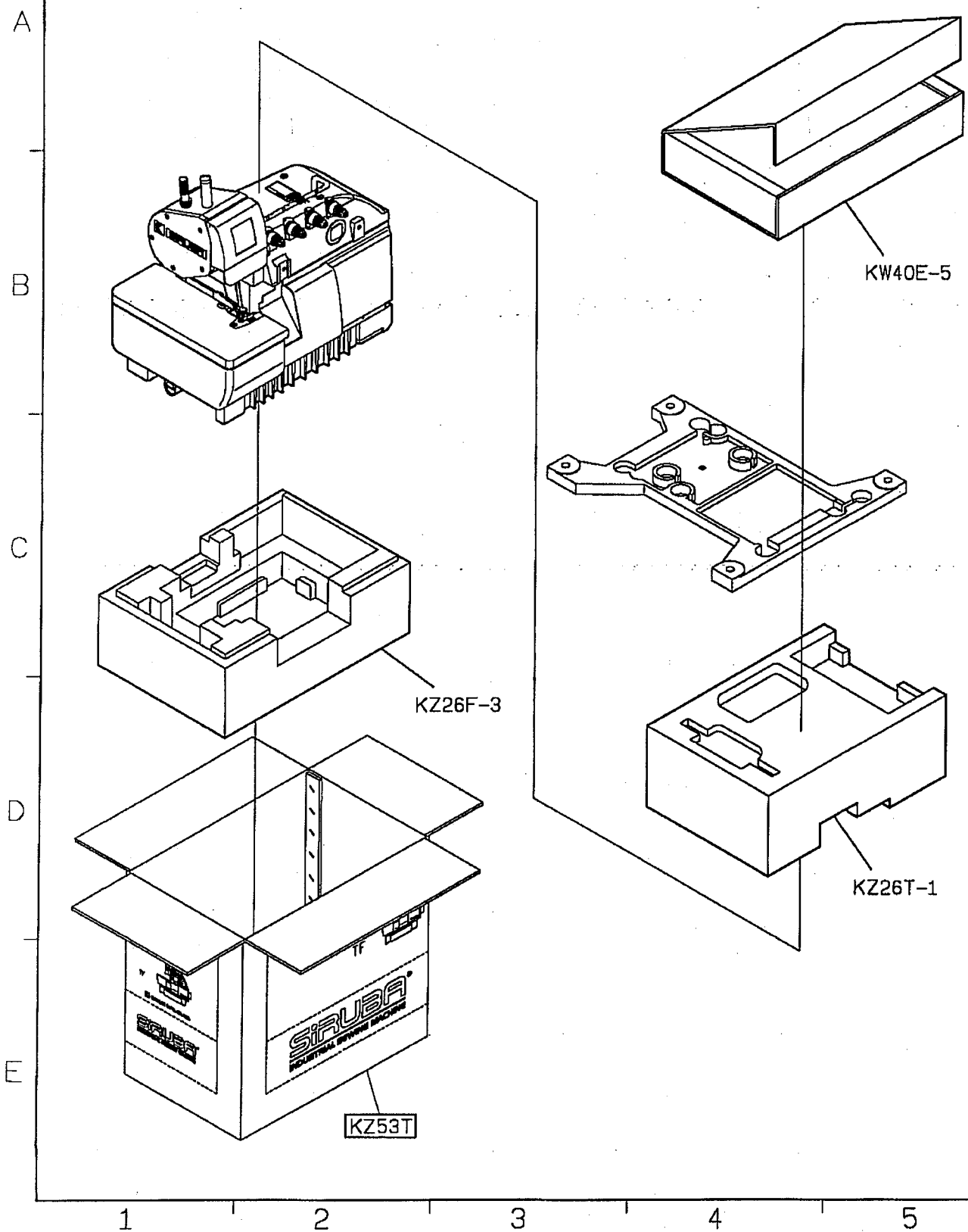


SIRUBA PARTS LIST	Series	Parts Group	Subclass / Remark	Page
	700DFT 988DFT	KY		1/1
				Date
				2013/12/23

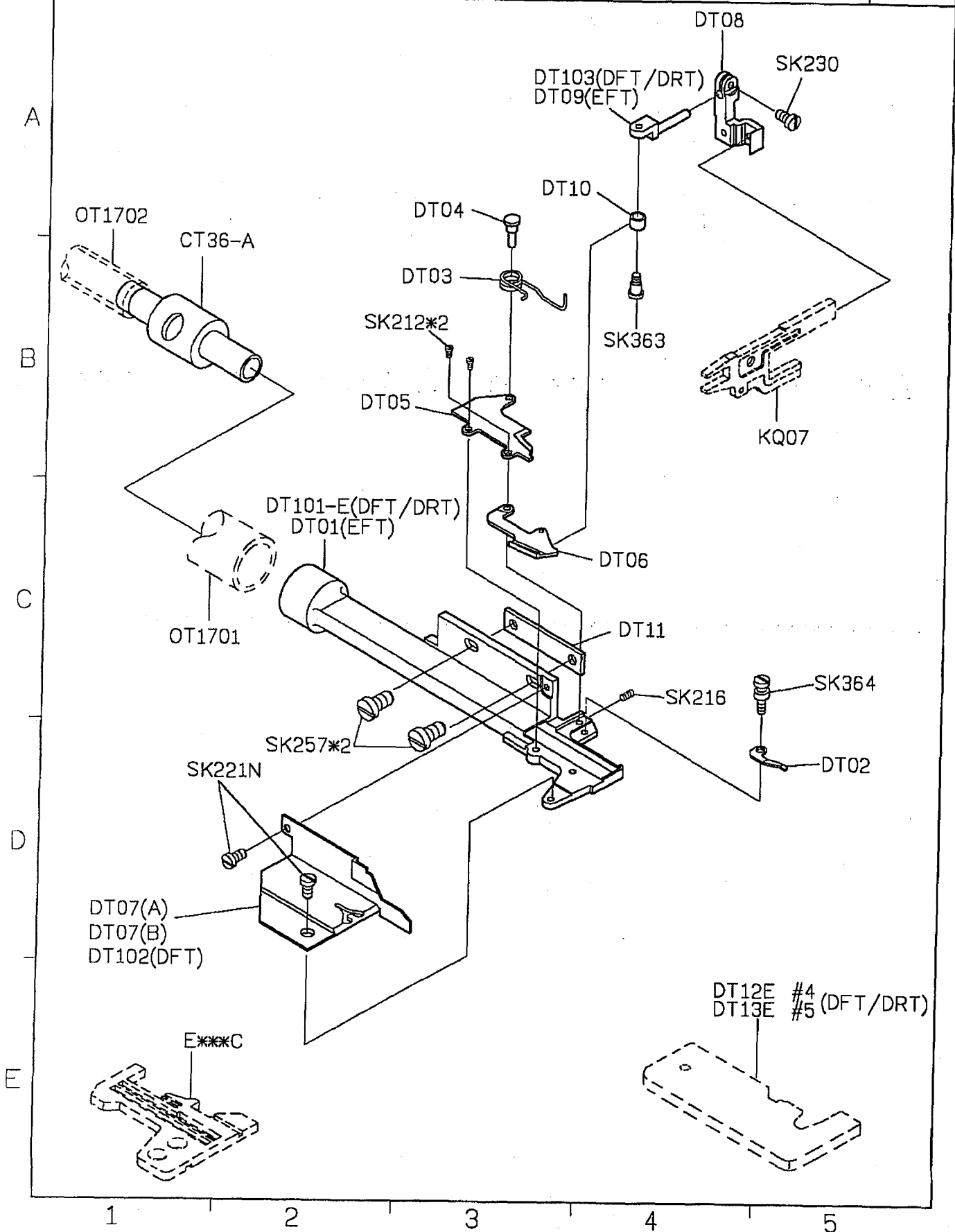
KY01 防塵罩 	KY02-A 油罐 	KY03 油壺 	KY04 漏斗 	KY05 油壺 	KY30 針板紙 
KY23-A KY23 內六角扳手 		KY10-A KY10 六角扳手 		KY11 六角扳手 	KY12 六角扳手 
KY09 開口扳手 	KY14 內六角螺絲起子 				
KY18 鑷子 	KY19 穿線器 	KY20D-A 腳踏板 	KY21-A/MY21 鉤子/鍊條 	KY201 工具袋 	KR35 下刀片 
KT14-A 瀉油器 	KZ03 乾燥劑 	針*5 針 	KZ15/KZ15-1 使用說明書 	SK216 螺絲 	MY11 六角扳手 
KY30 針板紙 	LY33-A LY33 一字起子 		LY34 一字起子 		

<b>SIRUBA</b> PARTS LIST	Series	Parts Group	Subclass / Remark	Page
	700DFT 988DFT	KZ		1/1
				Date
				2013/12/23

MODEL	700DFT	988DFT
PARTS NO	KZ53T	KZ53L



<b>SIRUBA</b> PARTS LIST	Series	Parts Group	Subclass / Remark	Page
	700DFT 988DFT	DT		1/1
				Date
				2013/12/23



**SIRUBA**

PARTS LIST

Series

700DFT  
988DFT

Parts Group

GB

Subclass / Remark

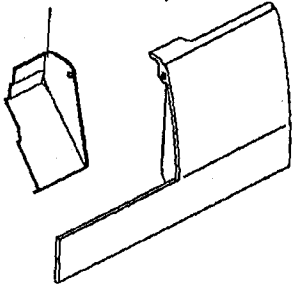
Page

1/1

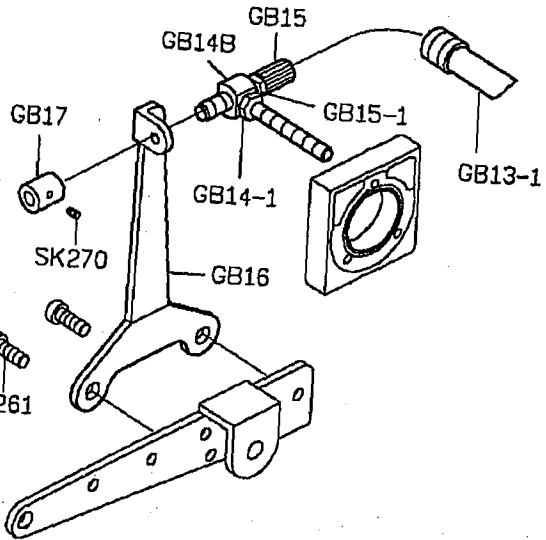
Date

2013/12/23

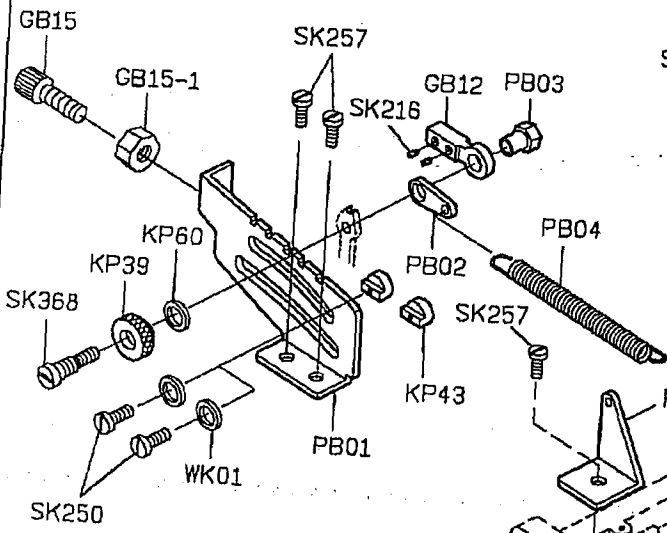
GB18U(4Thread)  
GB19U(5Thread)



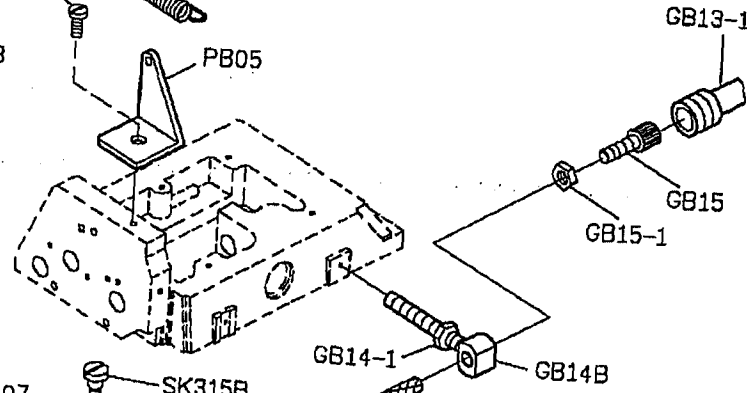
A



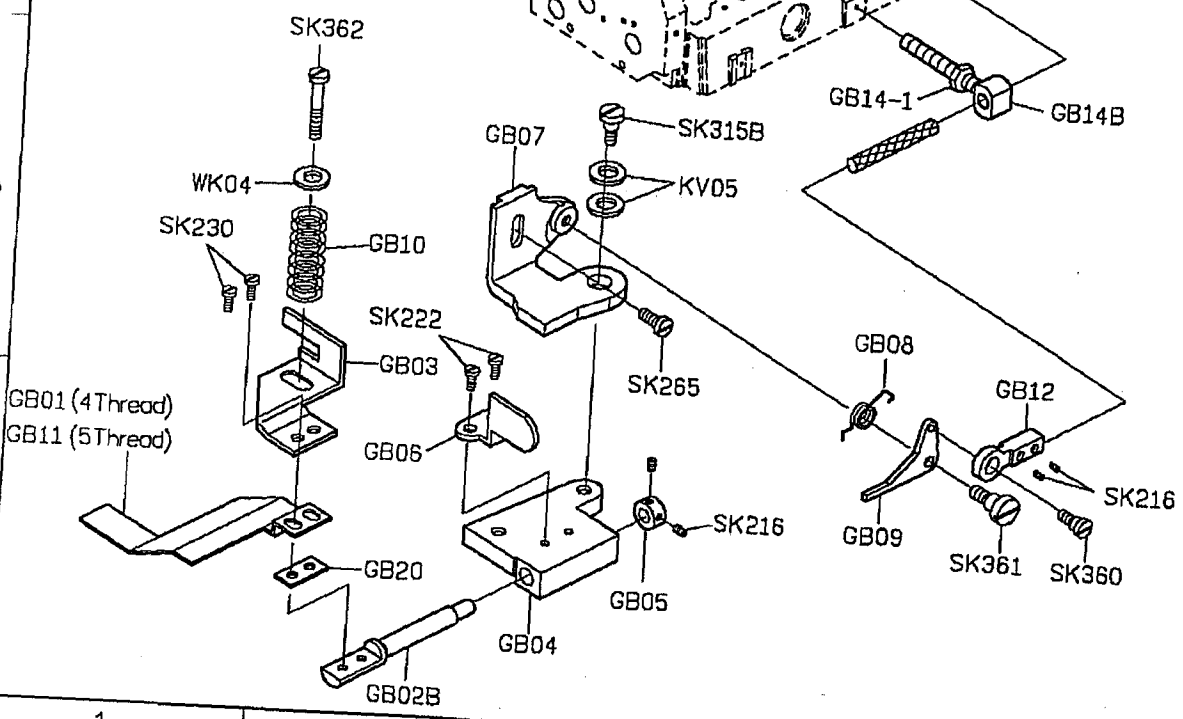
B



C



D

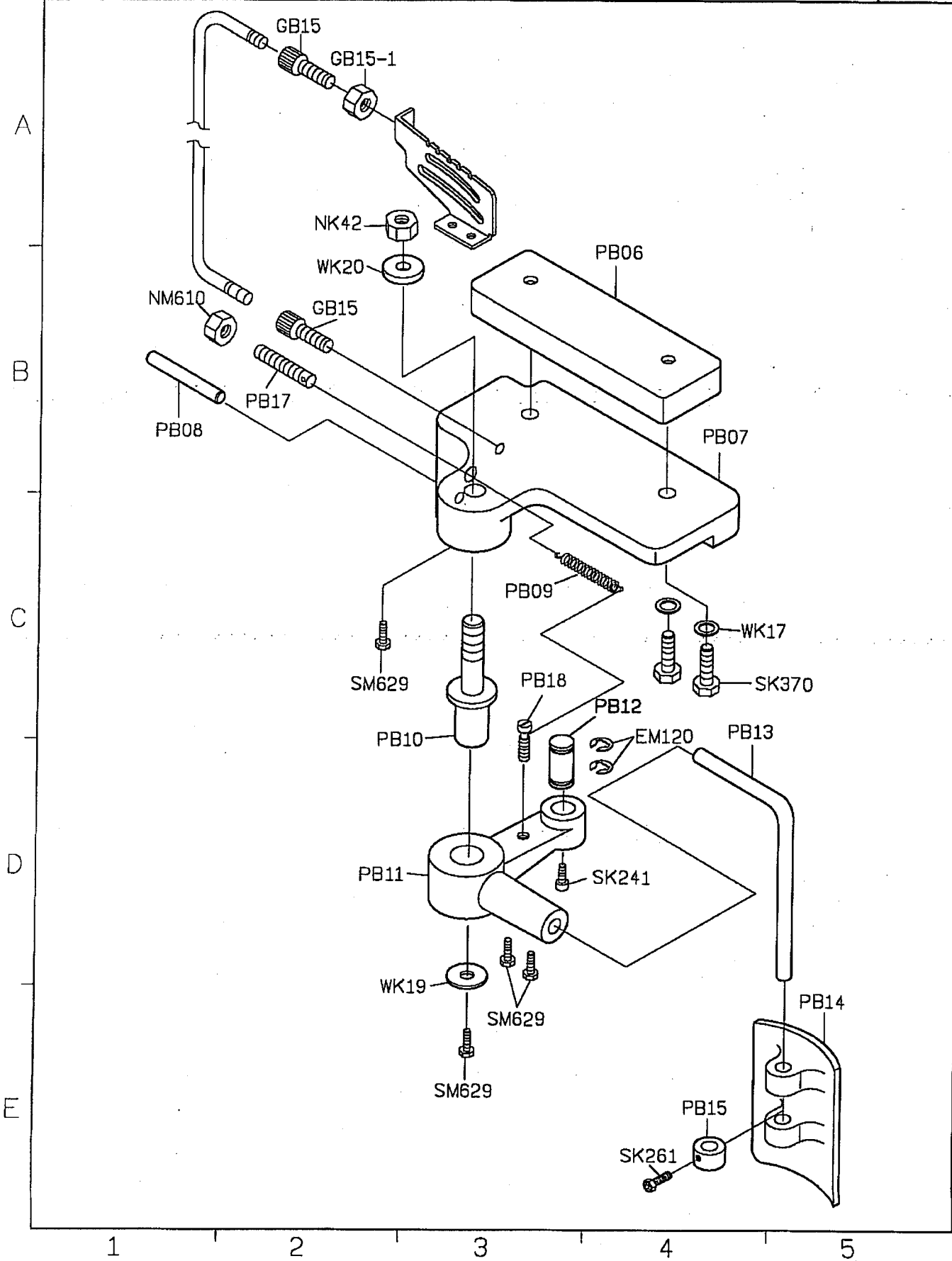


E

1 2 3 4 5



<b>SIRUBA</b> PARTS LIST	Series	Parts Group	Subclass / Remark	Page
	700DFT 988DFT	<b>PB</b>	膝動控制器:控制上層布之摺景 Knee Controller:For upper ply gathering	1/1
				Date 2013/12/23



**SIRUBA**

TABLE  
CUT - OUT

Series  
**700DFT**  
**988DFT**

Item Code  
**700DFT-T1**

Subclass Remark

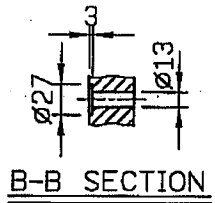
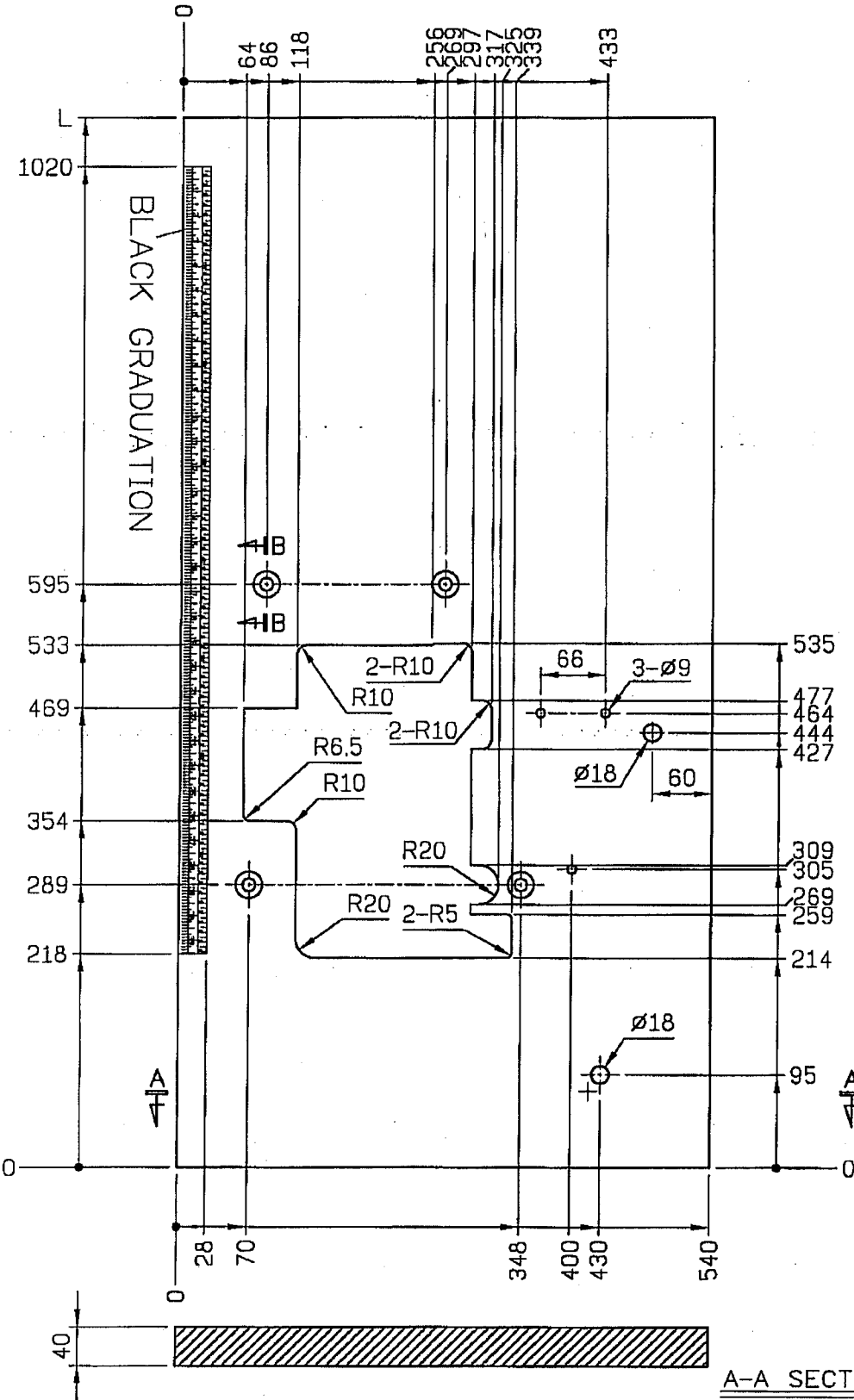
Mounting

Non-submerged

Date

2013/12/23

FOR DFT  
單位/UNIT:mm  
所有尺寸公差/TOLERANCE:±2  
長度(L):1070/重量(W):10.5kg±5%  
長度(L):1200/重量(W):11.5kg±5%



A-A SECTION